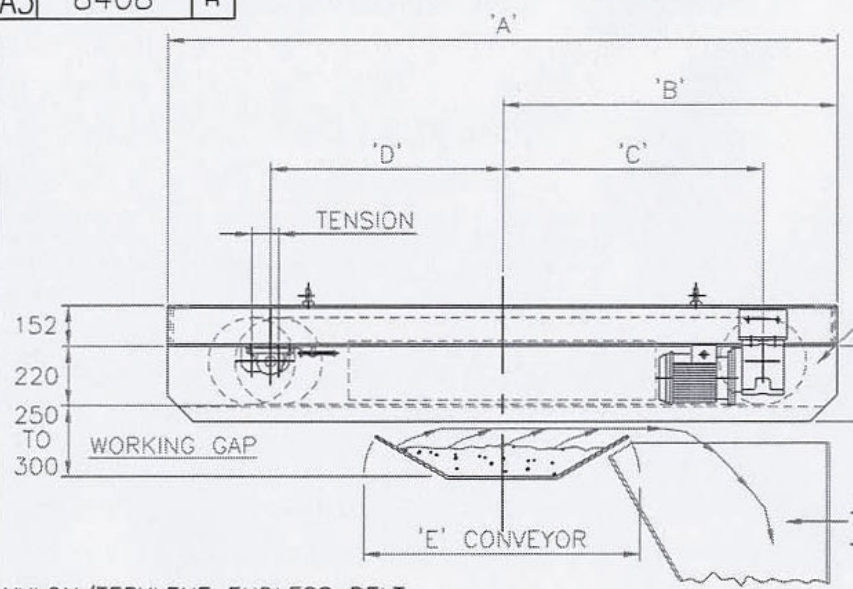
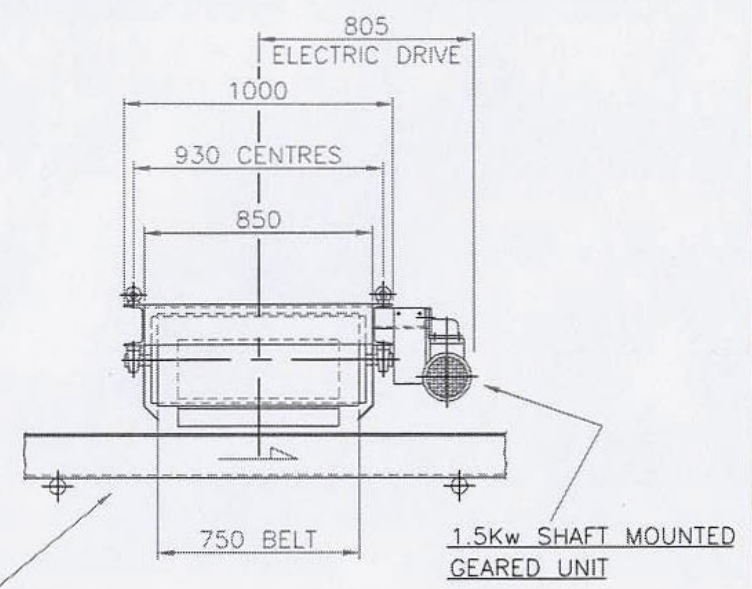


A3 8408 A



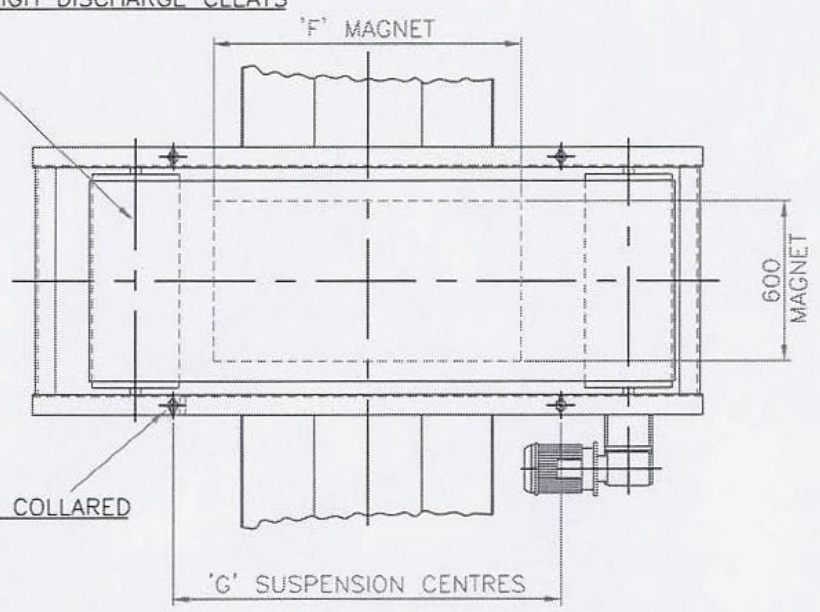
FULL LENGTH STAINLESS STEEL BELT GUARDS FITTED TO BOTH SIDES OF MACHINE

NON MAGNETIC DISCHARGE CHUTE TO BE SUPPLIED BY CUSTOMER



POSITION MAGNET BETWEEN IDLERS

NYLON/TERYLENE ENDLESS BELT WITH 75 HIGH DISCHARGE CLEATS



MODEL	'A'	'B'	'C'	'D'	'E'	'F'	'G'	WEIGHT (Kg)
10 PCB 4	2300	1200	925	715	600	700	1250	745
10 PCB 5	2300	1200	925	715	750	850	1250	850
10 PCB 6	2300	1200	925	715	900	1000	1250	950
10 PCB 7	2500	1250	975	865	1000	1150	1450	1075
10 PCB 8	2500	1250	975	865	1200	1300	1450	1175
10 PCB 9	2800	1400	1125	1015	1400	1450	1750	1300
10 PCB 10	2800	1400	1125	1015	1500	1600	1750	1405
10 PCB 11	3000	1500	1200	1150	1650	1750	1850	1550
10 PCB 16	3000	1500	1200	1150	1800	1850	1850	1600

MOD	DESCRIPTION	SIGN	DATE
A	10 PCB 16 DATA ADDED	DF	08/00

THIS DRAWING AND INFORMATION IS THE PROPERTY OF KW SUPPLY MAGNET SYSTEMS, AND MUST NOT BE COPIED OR RELATED TO A THIRD PARTY WITHOUT WRITTEN PERMISSION.

**KW SUPPLY  
MAGNET SYSTEMS**  
ROTTERDAM  
HOLLAND  
TEL: +31(0)10-4291380  
FAX: +31(0)10-4292168  
WWW.KWSUPPLY.COM

	SIGN	DATE
DRAWN	JM/NOVA	6/97
CHECKED	AGC	6/97
APPROVED	AGC	6/97
SCALE	1:20	

**KW Supply**  
magnet systems

TITLE  
OUTLINE OF 10PCB TYPE 'K' MARK 5 PERMANENT CROSSBELT OVERBAND SEPARATORS FITTED WITH ELECTRIC DRIVE

PROJECTION  $\Rightarrow \oplus$  A3 8408 ISSUE A